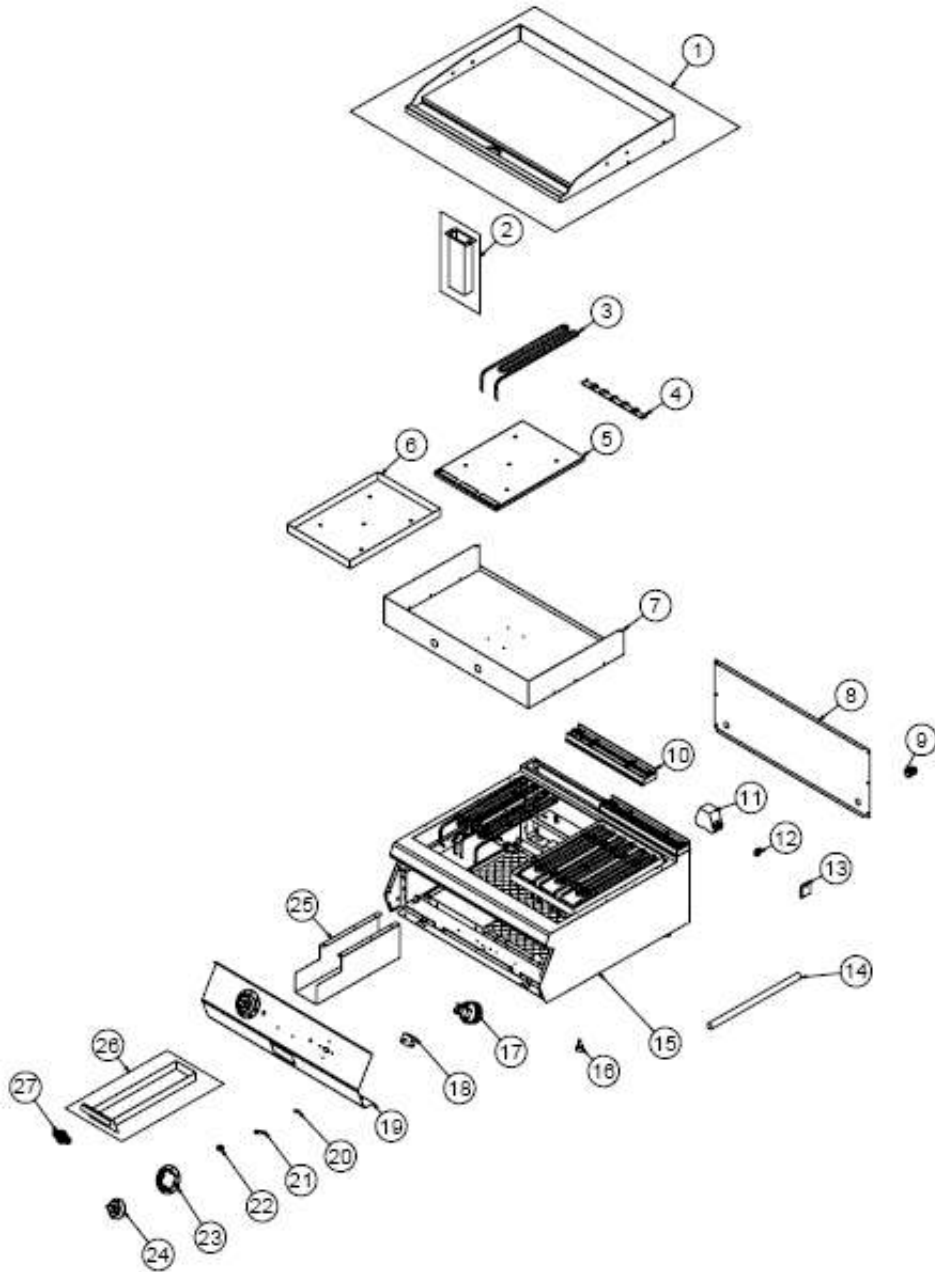


ПОВЕРХНОСТЬ ЖАРОЧНАЯ ЭЛЕКТРИЧЕСКАЯ 700 СЕРИИ TATRA TET.87S



ПОВЕРХНОСТЬ ЖАРОЧНАЯ ЭЛЕКТРИЧЕСКАЯ 700 СЕРИИ ТАТРА ТЕТ.87S

1	PLATINUM	ARA-KNX.PG7-0027	
2	PROFILE	ARA-KNX.PG7-0002	
3	230V 1400W RESISTANCE	M.ELK-RZS-BRU-IZG-012	
4	RESISTANCE CONEXION SHEET	YSC-KNX.PG7-LZ-0999	
5	INSULATION BOTTOM SHEET	YSC-KNX.PG7-LZ-1023	
6	INSULATION TOP SHEET	YSC-KNX.PG7-LZ-1024	
7	COMBUSTION SECTION	YSC-KNX.PG7-PN-0859	
8	BACK SHEET METAL	YSC-KNX.PG7-PN-0398	
9	PG-16 CABLE FITTING	JP.M.ELK-RKR-PLS-001	
10	CM X 7 CM CHIMNEY	JP.M.AKS-DKM-KZN-013	
11	CONTACTOR 230V	JP.M.ELK-KNT-KNT-006	
12	2 25 MM TERMINAL	M.ELK-KLM-RKL-4*4-SRY	
13	AVK 16 TERMINAL	JP.M.ELK-KLM-058	
14	CABLE PIPE 450 MM	YBR-KNX.PG9-KS-0002	
15	CHASSIS	-	
16	M10*35 FOOT	JP.M.AKS-AYK-PLS-002	
17	400V THERMOSTAT	M.ELK-MEK-TRM1-005	
18	360°C LIMITOR	JP.M.ELK-MEK-LMT-004	
19	FRONT PANEL	YSC-KNX.PG7-LZ-1001	
20	M4 FRAME SPRING	M.YAY-PG-004	
21	SIGNAL LAMP	M.ELK-LMB-SNY-002	
22	BUTTON SOCKET 6 MM	M.AKS-DGM-SKT-002	
23	50-300 °C BUTTON BUFFER	M.AKS-DGM-EMP-017	
24	BUTTON	M.AKS-DGM-EMP-024	
25	SLIDE SHEET	YSC-KNX.PG7-PN-0582	
26	DRAWER	ARA-KNX.PG7-0001	
27	TICKET	M.AKS-OZL-MTL-006	